



**26,000
FIXTURE
LUMENS**

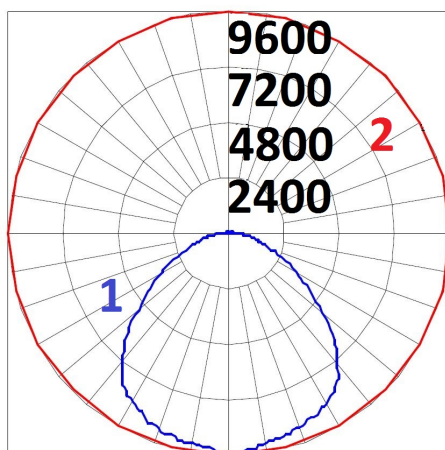
//MAIN FEATURES

- **Light output range:** Fixture Lumens up to 26,000*
- **Light Distribution:** Medium Beam
- **IP Rating:** IP 66 optical chamber
- **CRI:** 80 CRI
- **Colour Temp:** 4,000K and 5,000K
- **Body Type:** Aluminium pre-treated and white powder coated
- **Lens Type:** Injection moulded acrylic Lens
- **Thermal Rating:** 25°C ambient rated (remote 50°C ambient gear available)
- **Warranty:** 5 Years
- **Australian Made:** Designed and manufactured in Australia

//DESIGN FEATURES

- Complies with the requirements for the food processing industry
- PCB / Cree LED designed and manufactured in Australia with a unique combination multi-chip LED surface mount technology
- 80 CRI Multi Chip LED either 3 step MacAdam ellipse
- PCB / multi-chip surface mount LED Heat Sink design and assembly integrating optimum thermal management
- Acrylic injection moulded refractor lens (non-yellowing)
- Lens frame 316 stainless steel with food grade white solid silicone gasket to seal the lens to IP66
- Stainless steel eye bolt.
- Complete with food grade solid white silicone gasket to seal the body of the fitting.
- Thermal cut-out and short circuit protection
- Optional microwave movement sensor and 1 to 10 volt dimming
- Integral Control Gear 25°C ambient rated. (Optional remote control gear 50° C ambient rated)
- Electronic driver used : Meanwell HLG-240H-36B **
- LED chip: Cree MHDEWT-50G-H2-C0H-00001 (5000K)***

//PHOTOMETRIC DISTRIBUTION CURVE

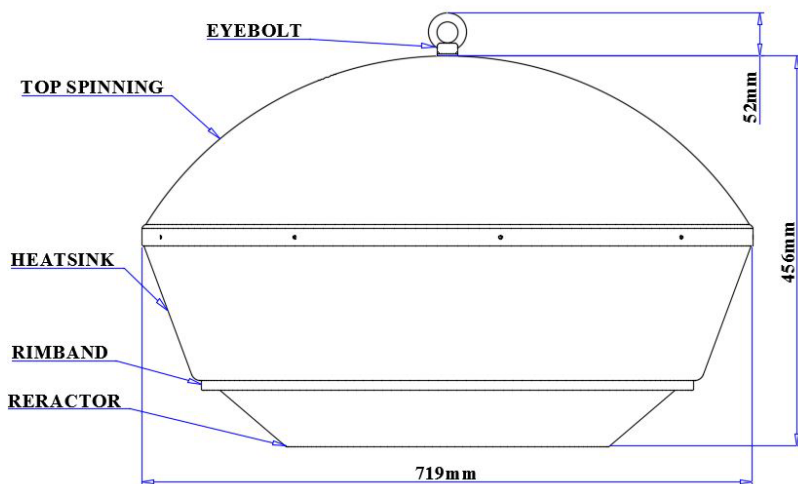


1. C 0° -C 180°

*Maximum delivered lumen output subjected to +3% or -10 % tolerance based on LCP variation due various factors including the ambient temperature.

**Electronic driver may vary for a special application

***For other color temperatures the led part no. might vary



//HI - GIENE ROUND PENDANT SPECIFICATION TABLE

MODEL	FIXTURE LUMENS	MOUNT	**CCT KELVIN (x1000)	CRI	GEAR Integral only	WATTAGE (W) Maximum LCP	LIGHT DISTRIBUTION	ORDERING CODE*	APPROX. STANDBY POWER (SENSOR ENABLED LIGHTS @20 % SETTING) W
Hi-Giene Round Pendant-Integral driver	26000	P	5	80	I	250	M	HGR26P580I250M	50
Hi-Giene Round Pendant-Integral driver	20000	P	5	80	I	180	M	HGR20P580I180M	36
Hi-Giene Round Pendant-Integral driver	16000	P	5	80	I	150	M	HGR16P580I150M	30

* Available with

- Standalone movement sensors (MS/MSAD),
- Paired (via RF signals) movement sensors (RMS/RMSAD) etc.
- Standalone movement + daylight (up to 500lux) sensor (MSAD/DL)

** Available in 4000K CCT as well.

Contact LTC sales for further details

Lighting Technology & Control Pty Ltd

ABN. 36 607 221 223

Office. (+61) 02 9642 4119

Email. admin@lighttc.com.au

Address. Cnr. Norfolk Road & Wentworth Street, Greenacre, NSW, 2190 Australia.

www.lighttc.com.au

